



---

## **PART MARKING & IDENTIFICATION REQUIREMENTS**

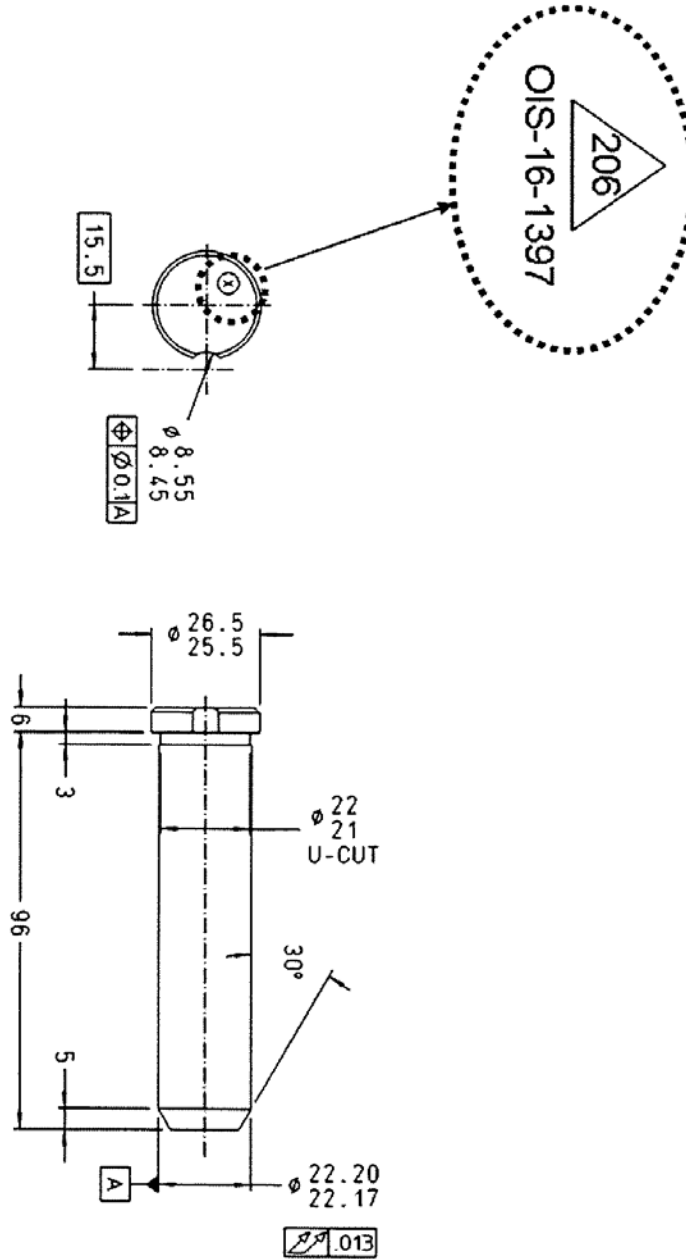
In an effort to streamline our receiving of your products and uniformly handle and identify all materials, below recaps the basic requirements on all current and future shipments. The below stated requirements are considered an integral part of our purchase order policy. Compliance will facilitate both the receiving and invoice payment process.

### **1. Part Marking and Identification**

- When indicated on the Purchase Order under the part item text, parts are to be marked as indicated on the accompanying drawing in the location as indicated with the “circle X”.
- Parts are to be identified with some permanent marking method (stamping, etching, laser, ink coding).
- Parts are to be marked with the “OIS” number as indicated on the drawing accompanying the Purchase Order.
- In addition to the “OIS” drawing number marking, each part is to be marked with a “triangle” above the drawing number with “206” inside the triangle.
- The following page has an example of the required part marking to be used as a reference.
- The part marking shall not distort or change any of the dimensional call-outs on the drawing.



Sample Drawing Requiring Part Marking Identification



|   |   |              |            |                             |
|---|---|--------------|------------|-----------------------------|
| DRAWING PER ASME Y14.5M-1994<br>ALL SURFACE FINISHES PER ISO 1302-2002<br>GENERAL TOLERANCES: ISO 2768-1m-1989                              | PART NAME: LINK PIN                             | ANVIL        | ANNOTATOR  | 3D MODEL                    |
| MATERIAL: 8620  | TREATMENT: CARBURIZE 0.8 DEEP Rc 56-60 & GRIND  | DESIGN: RWK  | SCALE: 1:1 | DRAWING NUMBER: 01S-16-1397 |
| UNITS: INCHES   | USED ON: 01S-03870                              | DATE: 6-1-07 |            |                             |
| MASS DIMENSIONAL NOTE:<br>MAXIMUM FINISHED SURFACE ROUGHNESS:<br>THREADS ARE CLASS 8H/8g<br>BUSHING FIT SHOWN TO MAX.<br>MARK PART NO. AT ① | USE 01S-03871 FOR STANDARDS & MAT'L CONVERSIONS | DRAWN:       |            |                             |
| CHANGES:  |   | DATE:        |            |                             |